

CPP.2

Introduction to the Service Pistol

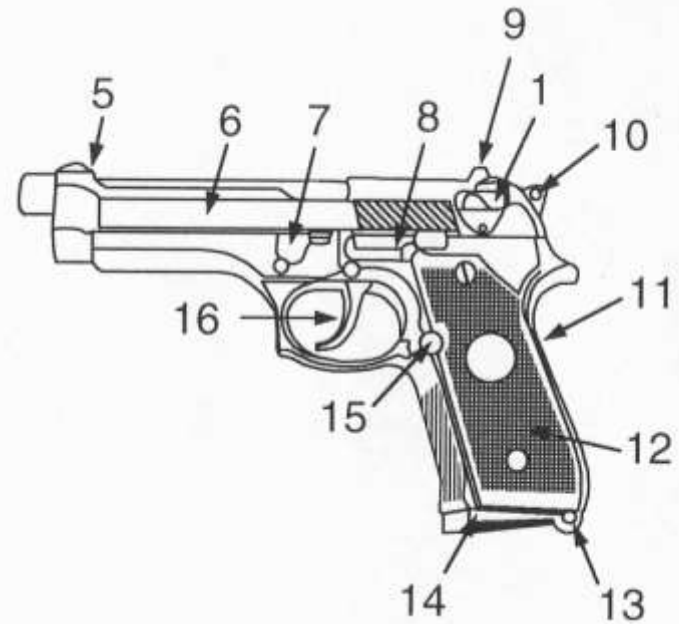
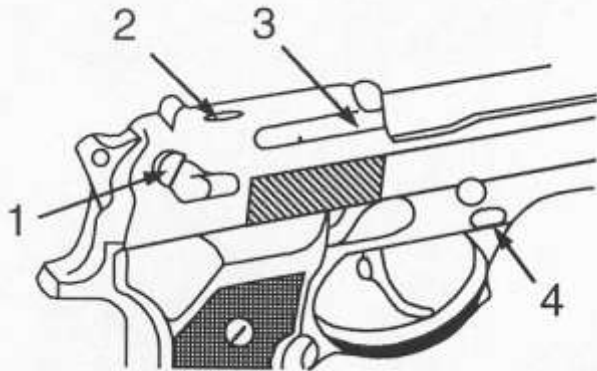


Pistol Description

- Semiautomatic
- Magazine-fed
- Recoil-operated
- Chambered for 9mm NATO M882 round
- Double or single action
- Maximum effective range of 50 meters
- 15-round magazine with reversible magazine release button



Pistol Nomenclature



1. Decocking / Safety Lever
2. Firing Pin Block
3. Extractor / Loaded Chamber Indicator
4. Disassembly Button
5. Front Sight
6. Slide Assembly
7. Disassembly Lever

8. Slide Stop
9. Rear Sight
10. Hammer
11. Receiver
12. Grip

13. Lanyard Loop
14. Magazine
15. Magazine Catch Assembly
16. Trigger

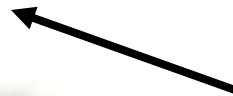
Service Pistol Major Components



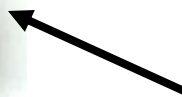
Slide Assembly



Barrel Assembly



Recoil Spring/Recoil
Spring Guide



Receiver

Decocking/Safety Lever



On Safe



On Fire

Firing Pin Block



As trigger is pulled, firing pin block moves up and out of firing pin notch.

Half-Cock Notch



Stops forward movement of hammer during a mechanical failure.

Functional Capabilities

Hammer Cocked



Single Action

Hammer Forward



Double Action

Firing



Unlocking



Extracting



Ejecting



Cocking



Feeding



Chambering



Locking



Pistol Ammunition



Ball



Dummy

Holster



Magazine Pouch



**Magazine pouch
on body armor**



**Magazine pouch
on belt**