

MAJOR COMPONENTS M9 SERVICE PISTOL



SLIDE ASSEMBLY

BARREL ASSEMBLY

**RECOIL SPRING/RECOIL
SPRING GUIDE**

RECEIVER

FUNCTIONAL CAPABILITIES

Hammer Cocked



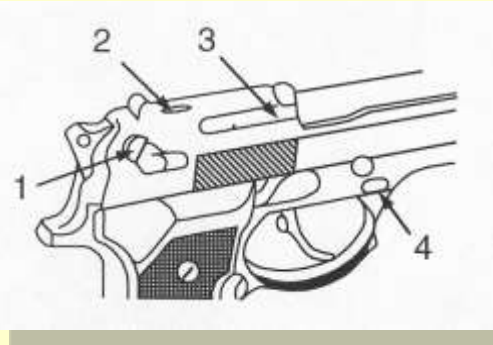
SINGLE ACTION

Hammer Forward

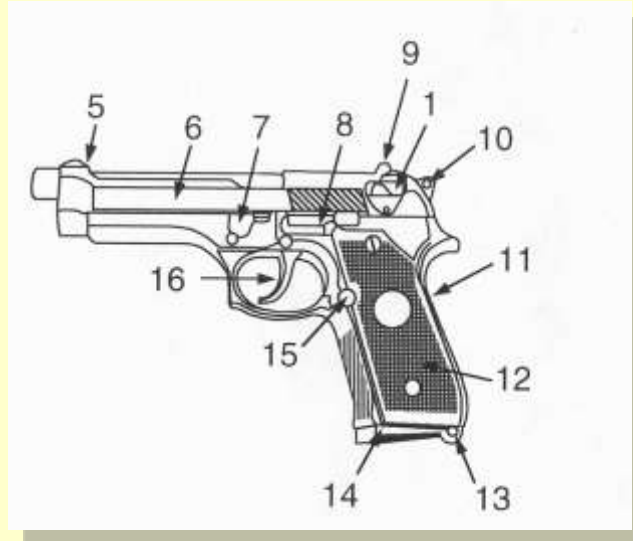


DOUBLE ACTION

M9 PISTOL NOMENCLATURE



1. DECOCKING / SAFETY LEVER
2. FIRING PIN BLOCK
3. EXTRACTOR / LOADED CHAMBER INDICATOR
4. DISASSEMBLY BUTTON
5. FRONT SIGHT
6. SLIDE ASSEMBLY
7. DISASSEMBLY LEVER



8. SLIDE STOP
9. REAR SIGHT
10. HAMMER
11. RECEIVER
12. GRIP
13. LANYARD LOOP
14. MAGAZINE
15. MAGAZINE CATCH ASSEMBLY
16. TRIGGER

M9 PISTOL AMMUNITION



BALL

DUMMY

WEARING OF M9 PISTOL GEAR

