

RIFLE DATA BOOK

RIFLE MARKSMANSHIP DATABOOK SERVICE RIFLE/ CARBINE

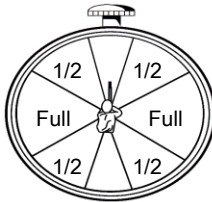
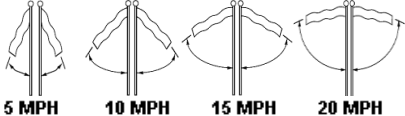
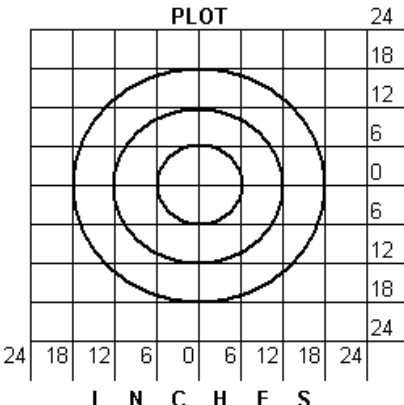
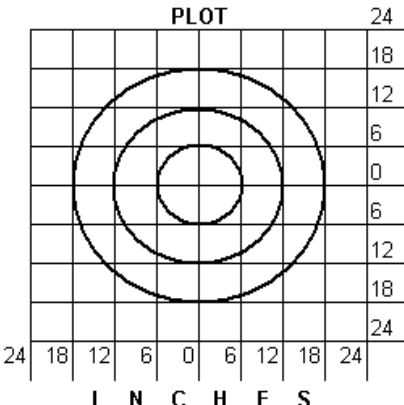
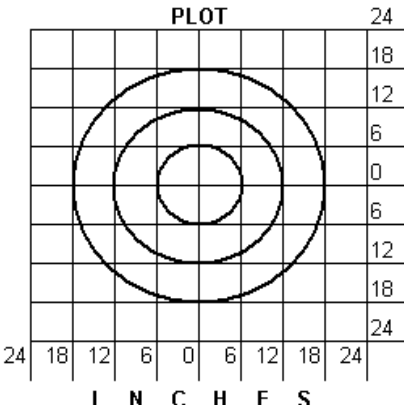
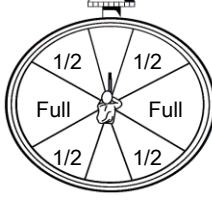
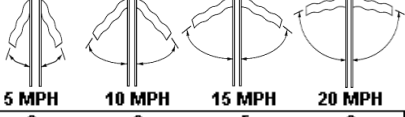
RANK/NAME		SSN
ORGANIZATION		BLOOD TYPE
WPN SERIAL NO.		
DETAIL NO.	RANGE	DATE

WPN NO./TYPE		
BZO		
FRONT ELEV	REAR ELEV	WIND
	8/3	
	6/3	

NAVMC 42 (Rev. 7-05) (Previous editions are obsolete)

SN: 0000-00-000-XXXX U/I: PG OF 100BX

DAY 1 TABLE 1

BEFORE FIRING			200 - YARD TRI-FIRE				SITTING																								
TRUE ZERO			plus	WIND	=	ZERO																									
FRONT ELEVATION	REAR ELEVATION	WIND	DIRECTION	SPEED				FRONT ELEVATION	REAR ELEVATION	WIND																					
0 ↑	M16A2 8/3+ <u>8/3- 2</u>	0 R						_____ ↑	M16A2 8/3+ _____ 8/3- _____	_____ R																					
_____ ↓	M16A4/M4 6/3+ _____ 6/3- _____	_____ L		<table border="1" style="font-size: small;"> <tr><td>SERVICE</td><td>FULL</td><td>2</td><td>3</td><td>5</td><td>6</td></tr> <tr><td>RIFLE</td><td>HALF</td><td>1</td><td>1</td><td>2</td><td>3</td></tr> <tr><td>CARBINE</td><td>FULL</td><td>2</td><td>4</td><td>7</td><td>9</td></tr> <tr><td></td><td>HALF</td><td>1</td><td>2</td><td>4</td><td>5</td></tr> </table>	SERVICE	FULL	2	3	5	6	RIFLE	HALF	1	1	2	3	CARBINE	FULL	2	4	7	9		HALF	1	2	4	5	_____ ↓	M16A4/M4 6/3+ _____ 6/3- _____	_____ L
SERVICE	FULL	2		3	5	6																									
RIFLE	HALF	1		1	2	3																									
CARBINE	FULL	2	4	7	9																										
	HALF	1	2	4	5																										
DURING FIRING			1ST STRING			2ND STRING			3RD STRING																						
									SIGHT SETTINGS FOR SECOND STRING FRONT SIGHT ELEV WIND _____ ↑ _____ R _____ ↓ _____ L																						
AFTER FIRING			without WIND =			TRUE ZERO																									
FRONT ELEVATION	REAR ELEVATION	WIND	DIRECTION	SPEED				FRONT ELEVATION	REAR ELEVATION	WIND																					
_____ ↑	M16A2 8/3+ _____ 8/3- _____	_____ R						_____ ↑	M16A2 8/3+ _____ 8/3- _____	_____ R																					
_____ ↓	M16A4/M4 6/3+ _____ 6/3- _____	_____ L		<table border="1" style="font-size: small;"> <tr><td>SERVICE</td><td>FULL</td><td>2</td><td>3</td><td>5</td><td>6</td></tr> <tr><td>RIFLE</td><td>HALF</td><td>1</td><td>1</td><td>2</td><td>3</td></tr> <tr><td>CARBINE</td><td>FULL</td><td>2</td><td>4</td><td>7</td><td>9</td></tr> <tr><td></td><td>HALF</td><td>1</td><td>2</td><td>4</td><td>5</td></tr> </table>	SERVICE	FULL	2	3	5	6	RIFLE	HALF	1	1	2	3	CARBINE	FULL	2	4	7	9		HALF	1	2	4	5	_____ ↓	M16A4/M4 6/3+ _____ 6/3- _____	_____ L
SERVICE	FULL	2		3	5	6																									
RIFLE	HALF	1		1	2	3																									
CARBINE	FULL	2	4	7	9																										
	HALF	1	2	4	5																										

****WINDAGE AND ELEVATION ADJUSTMENTS AT 200 yds:

REAR SIGHT ELEVATION: M16A2 - 1 CLICK = 2"; M16A4/M4 - 1 CLICK = 1"
 FRONT SIGHT ELEVATION: M16A2/A4 - 1 CLICK= 2 1/2"; M4 - 1 CLICK = 2 3/4"

WINDAGE: 1 CLICK = 1"

DAY 1 TABLE 1

BEFORE FIRING			200 - YARD TRI-FIRE				SITTING																																
TRUE ZERO			plus	WIND				=	ZERO																														
FRONT ELEVATION	REAR ELEVATION	WIND	DIRECTION				SPEED																																
0 ↑	M16A2 8/3+ 8/3- 2	0 R																																					
_____ ↓	M16A4/M4 6/3+ _____ 6/3- _____	_____ L																																					
											<table border="1" style="font-size: small;"> <thead> <tr> <th>SERVICE</th> <th>5 MPH</th> <th>10 MPH</th> <th>15 MPH</th> <th>20 MPH</th> </tr> </thead> <tbody> <tr> <td>FULL</td> <td>2</td> <td>3</td> <td>5</td> <td>6</td> </tr> <tr> <td>RIFLE HALF</td> <td>1</td> <td>1</td> <td>2</td> <td>3</td> </tr> <tr> <td>FULL</td> <td>2</td> <td>4</td> <td>7</td> <td>9</td> </tr> <tr> <td>CARBINE HALF</td> <td>1</td> <td>2</td> <td>4</td> <td>5</td> </tr> </tbody> </table>				SERVICE	5 MPH	10 MPH	15 MPH	20 MPH	FULL	2	3	5	6	RIFLE HALF	1	1	2	3	FULL	2	4	7	9	CARBINE HALF	1	2	4	5
SERVICE	5 MPH	10 MPH									15 MPH	20 MPH																											
FULL	2	3	5	6																																			
RIFLE HALF	1	1	2	3																																			
FULL	2	4	7	9																																			
CARBINE HALF	1	2	4	5																																			
			<table border="1" style="font-size: small;"> <thead> <tr> <th>FRONT ELEVATION</th> <th>REAR ELEVATION</th> <th>WIND</th> </tr> </thead> <tbody> <tr> <td>_____ ↑</td> <td>M16A2 8/3+ _____ 8/3- _____</td> <td>_____ R</td> </tr> <tr> <td>_____ ↓</td> <td>M16A4/M4 6/3+ _____ 6/3- _____</td> <td>_____ L</td> </tr> </tbody> </table>				FRONT ELEVATION	REAR ELEVATION	WIND	_____ ↑	M16A2 8/3+ _____ 8/3- _____	_____ R	_____ ↓	M16A4/M4 6/3+ _____ 6/3- _____	_____ L																								
FRONT ELEVATION	REAR ELEVATION	WIND																																					
_____ ↑	M16A2 8/3+ _____ 8/3- _____	_____ R																																					
_____ ↓	M16A4/M4 6/3+ _____ 6/3- _____	_____ L																																					
DURING FIRING																																							
1ST STRING			2ND STRING			3RD STRING			SIGHT SETTINGS FOR SECOND STRING																														
									<table style="font-size: small;"> <tr> <td style="text-align: center;">FRONT SIGHT ELEV</td> <td style="text-align: center;">WIND</td> </tr> <tr> <td style="text-align: center;">_____ ↑</td> <td style="text-align: center;">_____ R</td> </tr> <tr> <td style="text-align: center;">_____ ↓</td> <td style="text-align: center;">_____ L</td> </tr> </table>		FRONT SIGHT ELEV	WIND	_____ ↑	_____ R	_____ ↓	_____ L																							
FRONT SIGHT ELEV	WIND																																						
_____ ↑	_____ R																																						
_____ ↓	_____ L																																						
									SIGHT SETTINGS FOR THIRD STRING																														
									<table style="font-size: small;"> <tr> <td style="text-align: center;">FRONT SIGHT ELEV</td> <td style="text-align: center;">WIND</td> </tr> <tr> <td style="text-align: center;">_____ ↑</td> <td style="text-align: center;">_____ R</td> </tr> <tr> <td style="text-align: center;">_____ ↓</td> <td style="text-align: center;">_____ L</td> </tr> </table>		FRONT SIGHT ELEV	WIND	_____ ↑	_____ R	_____ ↓	_____ L																							
FRONT SIGHT ELEV	WIND																																						
_____ ↑	_____ R																																						
_____ ↓	_____ L																																						
AFTER FIRING																																							
ZERO			without	WIND				=	TRUE ZERO																														
FRONT ELEVATION	REAR ELEVATION	WIND	DIRECTION				SPEED																																
_____ ↑	M16A2 8/3+ _____ 8/3- _____	_____ R																																					
_____ ↓	M16A4/M4 6/3+ _____ 6/3- _____	_____ L																																					
											<table border="1" style="font-size: small;"> <thead> <tr> <th>SERVICE</th> <th>5 MPH</th> <th>10 MPH</th> <th>15 MPH</th> <th>20 MPH</th> </tr> </thead> <tbody> <tr> <td>FULL</td> <td>2</td> <td>3</td> <td>5</td> <td>6</td> </tr> <tr> <td>RIFLE HALF</td> <td>1</td> <td>1</td> <td>2</td> <td>3</td> </tr> <tr> <td>FULL</td> <td>2</td> <td>4</td> <td>7</td> <td>9</td> </tr> <tr> <td>CARBINE HALF</td> <td>1</td> <td>2</td> <td>4</td> <td>5</td> </tr> </tbody> </table>				SERVICE	5 MPH	10 MPH	15 MPH	20 MPH	FULL	2	3	5	6	RIFLE HALF	1	1	2	3	FULL	2	4	7	9	CARBINE HALF	1	2	4	5
SERVICE	5 MPH	10 MPH									15 MPH	20 MPH																											
FULL	2	3	5	6																																			
RIFLE HALF	1	1	2	3																																			
FULL	2	4	7	9																																			
CARBINE HALF	1	2	4	5																																			
			<table border="1" style="font-size: small;"> <thead> <tr> <th>FRONT ELEVATION</th> <th>REAR ELEVATION</th> <th>WIND</th> </tr> </thead> <tbody> <tr> <td>_____ ↑</td> <td>M16A2 8/3+ _____ 8/3- _____</td> <td>_____ R</td> </tr> <tr> <td>_____ ↓</td> <td>M16A4/M4 6/3+ _____ 6/3- _____</td> <td>_____ L</td> </tr> </tbody> </table>				FRONT ELEVATION	REAR ELEVATION	WIND	_____ ↑	M16A2 8/3+ _____ 8/3- _____	_____ R	_____ ↓	M16A4/M4 6/3+ _____ 6/3- _____	_____ L																								
FRONT ELEVATION	REAR ELEVATION	WIND																																					
_____ ↑	M16A2 8/3+ _____ 8/3- _____	_____ R																																					
_____ ↓	M16A4/M4 6/3+ _____ 6/3- _____	_____ L																																					

****WINDAGE AND ELEVATION ADJUSTMENTS AT 200 yds:

REAR SIGHT ELEVATION: M16A2 - 1 CLICK = 2"; M16A4/M4 - 1 CLICK = 1"
FRONT SIGHT ELEVATION: M16A2/A4 - 1 CLICK= 2 1/2"; M4 - 1 CLICK = 2 3/4"

WINDAGE: 1 CLICK = 1"

DAY 1 TABLE 1

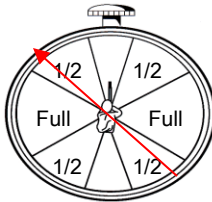
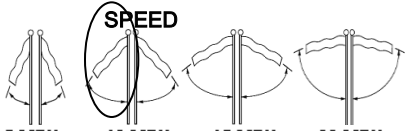
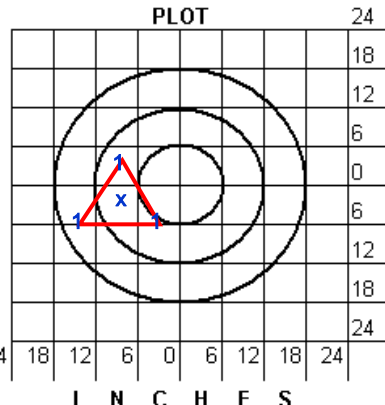
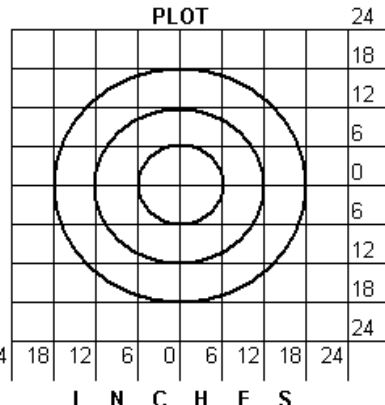
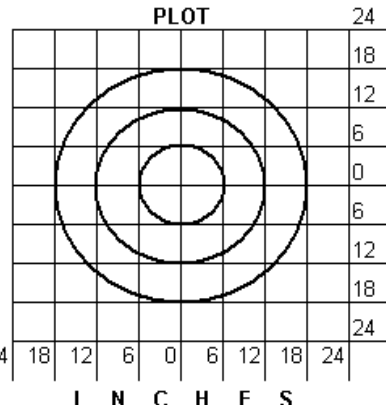
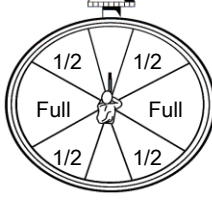
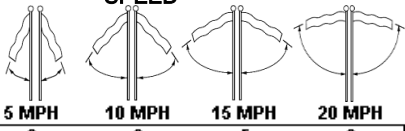
BEFORE FIRING			200 - YARD TRI-FIRE					SITTING			
TRUE ZERO			plus	WIND				=	ZERO		
FRONT ELEVATION	REAR ELEVATION	WIND	DIRECTION		SPEED			FRONT ELEVATION	REAR ELEVATION	WIND	
0 ↑	M16A2 8/3+ <u>8/3- 2</u>	0 R						0 ↑	M16A2 8/3+ <u>8/3- 2</u>	1 R	
	M16A4/M4 6/3+ 6/3- _____	_____ L							M16A4/M4 6/3+ 6/3- _____	_____ L	
DURING FIRING											
1ST STRING			2ND STRING			3RD STRING			SIGHT SETTINGS FOR SECOND STRING		
									FRONT SIGHT ELEV WIND _____ ↑ _____ R _____ ↓ _____ L		
									SIGHT SETTINGS FOR THIRD STRING		
									FRONT SIGHT ELEV WIND _____ ↑ _____ R _____ ↓ _____ L		
AFTER FIRING											
ZERO			without	WIND				=	TRUE ZERO		
FRONT ELEVATION	REAR ELEVATION	WIND	DIRECTION		SPEED			FRONT ELEVATION	REAR ELEVATION	WIND	
_____ ↑	M16A2 8/3+ _____ 8/3- _____	_____ R						_____ ↑	M16A2 8/3+ _____ 8/3- _____	_____ R	
_____ ↓	M16A4/M4 6/3+ _____ 6/3- _____	_____ L						_____ ↓	M16A4/M4 6/3+ _____ 6/3- _____	_____ L	

****WINDAGE AND ELEVATION ADJUSTMENTS AT 200 yds:

REAR SIGHT ELEVATION: M16A2 - 1 CLICK = 2"; M16A4/M4 - 1 CLICK = 1"
 FRONT SIGHT ELEVATION: M16A2/A4 - 1 CLICK= 2 1/2"; M4 - 1 CLICK = 2 3/4"

WINDAGE: 1 CLICK = 1"

DAY 1 TABLE 1

BEFORE FIRING			200 - YARD TRI-FIRE				SITTING																									
TRUE ZERO			plus	WIND		=	ZERO																									
FRONT ELEVATION	REAR ELEVATION	WIND	DIRECTION		SPEED		FRONT ELEVATION	REAR ELEVATION	WIND																							
0 ↑	M16A2 8/3+ 8/3- 2	0 R					0 ↑	M16A2 8/3+ 8/3- 2	1 R																							
— ↓	M16A4/M4 6/3+ 6/3- —	— L					— ↓	M16A4/M4 6/3+ 6/3- —	— L																							
							<table border="1" style="font-size: small; text-align: center;"> <thead> <tr> <th>SERVICE</th> <th>5 MPH</th> <th>10 MPH</th> <th>15 MPH</th> <th>20 MPH</th> </tr> </thead> <tbody> <tr> <td>FULL</td> <td>2</td> <td>3</td> <td>5</td> <td>6</td> </tr> <tr> <td>RIFLE</td> <td>1</td> <td>1</td> <td>2</td> <td>3</td> </tr> <tr> <td>FULL</td> <td>2</td> <td>4</td> <td>7</td> <td>9</td> </tr> <tr> <td>CARBINE</td> <td>1</td> <td>2</td> <td>4</td> <td>5</td> </tr> </tbody> </table>		SERVICE	5 MPH	10 MPH	15 MPH	20 MPH	FULL	2	3	5	6	RIFLE	1	1	2	3	FULL	2	4	7	9	CARBINE	1	2	4
SERVICE	5 MPH	10 MPH	15 MPH	20 MPH																												
FULL	2	3	5	6																												
RIFLE	1	1	2	3																												
FULL	2	4	7	9																												
CARBINE	1	2	4	5																												
DURING FIRING																																
1ST STRING			2ND STRING			3RD STRING			SIGHT SETTINGS FOR SECOND STRING																							
									<table style="font-size: small;"> <tr> <td style="text-align: center;">FRONT SIGHT</td> <td style="text-align: center;">ELEV</td> <td style="text-align: center;">WIND</td> </tr> <tr> <td style="text-align: center;">2 ↑</td> <td style="text-align: center;"> </td> <td style="text-align: center;">8 R</td> </tr> <tr> <td style="text-align: center;">— ↓</td> <td style="text-align: center;"> </td> <td style="text-align: center;">— L</td> </tr> </table>	FRONT SIGHT	ELEV	WIND	2 ↑		8 R	— ↓		— L														
FRONT SIGHT	ELEV	WIND																														
2 ↑		8 R																														
— ↓		— L																														
									SIGHT SETTINGS FOR THIRD STRING																							
									<table style="font-size: small;"> <tr> <td style="text-align: center;">FRONT SIGHT</td> <td style="text-align: center;">ELEV</td> <td style="text-align: center;">WIND</td> </tr> <tr> <td style="text-align: center;">— ↑</td> <td style="text-align: center;"> </td> <td style="text-align: center;">— R</td> </tr> <tr> <td style="text-align: center;">— ↓</td> <td style="text-align: center;"> </td> <td style="text-align: center;">— L</td> </tr> </table>	FRONT SIGHT	ELEV	WIND	— ↑		— R	— ↓		— L														
FRONT SIGHT	ELEV	WIND																														
— ↑		— R																														
— ↓		— L																														
AFTER FIRING																																
ZERO			without	WIND		=	TRUE ZERO																									
FRONT ELEVATION	REAR ELEVATION	WIND	DIRECTION		SPEED		FRONT ELEVATION	REAR ELEVATION	WIND																							
— ↑	M16A2 8/3+ 8/3- —	— R					— ↑	M16A2 8/3+ 8/3- —	— R																							
— ↓	M16A4/M4 6/3+ 6/3- —	— L					— ↓	M16A4/M4 6/3+ 6/3- —	— L																							
							<table border="1" style="font-size: small; text-align: center;"> <thead> <tr> <th>SERVICE</th> <th>5 MPH</th> <th>10 MPH</th> <th>15 MPH</th> <th>20 MPH</th> </tr> </thead> <tbody> <tr> <td>FULL</td> <td>2</td> <td>3</td> <td>5</td> <td>6</td> </tr> <tr> <td>RIFLE</td> <td>1</td> <td>1</td> <td>2</td> <td>3</td> </tr> <tr> <td>FULL</td> <td>2</td> <td>4</td> <td>7</td> <td>9</td> </tr> <tr> <td>CARBINE</td> <td>1</td> <td>2</td> <td>4</td> <td>5</td> </tr> </tbody> </table>		SERVICE	5 MPH	10 MPH	15 MPH	20 MPH	FULL	2	3	5	6	RIFLE	1	1	2	3	FULL	2	4	7	9	CARBINE	1	2	4
SERVICE	5 MPH	10 MPH	15 MPH	20 MPH																												
FULL	2	3	5	6																												
RIFLE	1	1	2	3																												
FULL	2	4	7	9																												
CARBINE	1	2	4	5																												

****WINDAGE AND ELEVATION ADJUSTMENTS AT 200 yds:

REAR SIGHT ELEVATION: M16A2 - 1 CLICK = 2"; M16A4/M4 - 1 CLICK = 1"
 FRONT SIGHT ELEVATION: M16A2/A4 - 1 CLICK= 2 1/2"; M4 - 1 CLICK = 2 3/4"

WINDAGE: 1 CLICK = 1"

DAY 1 TABLE 1

BEFORE FIRING			200 - YARD TRI-FIRE				SITTING																														
TRUE ZERO			plus	WIND		=	ZERO																														
FRONT ELEVATION	REAR ELEVATION	WIND	DIRECTION		SPEED		FRONT ELEVATION	REAR ELEVATION	WIND																												
<u>0</u> ↑	M16A2 8/3+ 8/3- 2	<u>0</u> R					<u>0</u> ↑	M16A2 8/3+ 8/3- 2	<u>1</u> R																												
— ↓	M16A4/M4 6/3+ 6/3- —	— L					<table border="1" style="font-size: small; text-align: center;"> <tr><td style="text-align: left;">SERVICE</td><td>VALUE</td><td>5 MPH</td><td>10 MPH</td><td>15 MPH</td><td>20 MPH</td></tr> <tr><td style="text-align: left;">RIFLE</td><td>FULL</td><td>2</td><td>3</td><td>5</td><td>6</td></tr> <tr><td style="text-align: left;">RIFLE</td><td>HALF</td><td>1</td><td>1</td><td>2</td><td>3</td></tr> <tr><td style="text-align: left;">CARBINE</td><td>FULL</td><td>2</td><td>4</td><td>7</td><td>9</td></tr> <tr><td style="text-align: left;">CARBINE</td><td>HALF</td><td>1</td><td>2</td><td>4</td><td>5</td></tr> </table>		SERVICE	VALUE	5 MPH	10 MPH	15 MPH	20 MPH	RIFLE	FULL	2	3	5	6	RIFLE	HALF	1	1	2	3	CARBINE	FULL	2	4	7	9	CARBINE	HALF	1	2	4
SERVICE	VALUE	5 MPH	10 MPH	15 MPH	20 MPH																																
RIFLE	FULL	2	3	5	6																																
RIFLE	HALF	1	1	2	3																																
CARBINE	FULL	2	4	7	9																																
CARBINE	HALF	1	2	4	5																																
DURING FIRING																																					
1ST STRING			2ND STRING			3RD STRING			SIGHT SETTINGS FOR SECOND STRING																												
									<table style="font-size: small; text-align: center;"> <tr><td style="text-align: left;">FRONT SIGHT</td><td>ELEV</td><td>WIND</td></tr> <tr><td style="text-align: left;">—</td><td><u>2</u> ↑</td><td><u>8</u> R</td></tr> <tr><td style="text-align: left;">—</td><td>— ↓</td><td>— L</td></tr> </table>	FRONT SIGHT	ELEV	WIND	—	<u>2</u> ↑	<u>8</u> R	—	— ↓	— L																			
FRONT SIGHT	ELEV	WIND																																			
—	<u>2</u> ↑	<u>8</u> R																																			
—	— ↓	— L																																			
<table style="font-size: small; text-align: center;"> <tr><td style="text-align: left;">FRONT SIGHT</td><td>ELEV</td><td>WIND</td></tr> <tr><td style="text-align: left;">—</td><td><u>2</u> ↑</td><td><u>8</u> R</td></tr> <tr><td style="text-align: left;">—</td><td>— ↓</td><td>— L</td></tr> </table>			FRONT SIGHT	ELEV	WIND	—	<u>2</u> ↑	<u>8</u> R	—	— ↓	— L	SIGHT SETTINGS FOR THIRD STRING			<table style="font-size: small; text-align: center;"> <tr><td style="text-align: left;">FRONT SIGHT</td><td>ELEV</td><td>WIND</td></tr> <tr><td style="text-align: left;">—</td><td><u>2</u> ↑</td><td><u>8</u> R</td></tr> <tr><td style="text-align: left;">—</td><td>— ↓</td><td>— L</td></tr> </table>			FRONT SIGHT	ELEV	WIND	—	<u>2</u> ↑	<u>8</u> R	—	— ↓	— L											
FRONT SIGHT	ELEV	WIND																																			
—	<u>2</u> ↑	<u>8</u> R																																			
—	— ↓	— L																																			
FRONT SIGHT	ELEV	WIND																																			
—	<u>2</u> ↑	<u>8</u> R																																			
—	— ↓	— L																																			
AFTER FIRING																																					
ZERO			without	WIND		=	TRUE ZERO																														
FRONT ELEVATION	REAR ELEVATION	WIND	DIRECTION		SPEED		FRONT ELEVATION	REAR ELEVATION	WIND																												
— ↑	M16A2 8/3+ 8/3- —	— R					— ↑	M16A2 8/3+ 8/3- —	— R																												
— ↓	M16A4/M4 6/3+ 6/3- —	— L					<table border="1" style="font-size: small; text-align: center;"> <tr><td style="text-align: left;">SERVICE</td><td>VALUE</td><td>5 MPH</td><td>10 MPH</td><td>15 MPH</td><td>20 MPH</td></tr> <tr><td style="text-align: left;">RIFLE</td><td>FULL</td><td>2</td><td>3</td><td>5</td><td>6</td></tr> <tr><td style="text-align: left;">RIFLE</td><td>HALF</td><td>1</td><td>1</td><td>2</td><td>3</td></tr> <tr><td style="text-align: left;">CARBINE</td><td>FULL</td><td>2</td><td>4</td><td>7</td><td>9</td></tr> <tr><td style="text-align: left;">CARBINE</td><td>HALF</td><td>1</td><td>2</td><td>4</td><td>5</td></tr> </table>		SERVICE	VALUE	5 MPH	10 MPH	15 MPH	20 MPH	RIFLE	FULL	2	3	5	6	RIFLE	HALF	1	1	2	3	CARBINE	FULL	2	4	7	9	CARBINE	HALF	1	2	4
SERVICE	VALUE	5 MPH	10 MPH	15 MPH	20 MPH																																
RIFLE	FULL	2	3	5	6																																
RIFLE	HALF	1	1	2	3																																
CARBINE	FULL	2	4	7	9																																
CARBINE	HALF	1	2	4	5																																

****WINDAGE AND ELEVATION ADJUSTMENTS AT 200 yds:

REAR SIGHT ELEVATION: M16A2 - 1 CLICK = 2"; M16A4/M4 - 1 CLICK = 1"
FRONT SIGHT ELEVATION: M16A2/A4 - 1 CLICK= 2 1/2"; M4 - 1 CLICK = 2 3/4"

WINDAGE: 1 CLICK = 1"

DAY 1 TABLE 1

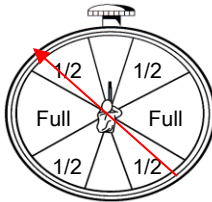
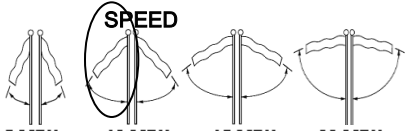
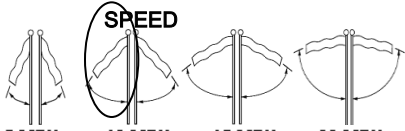
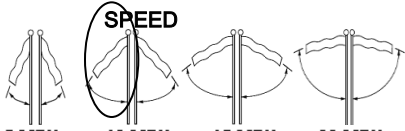
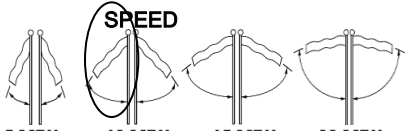
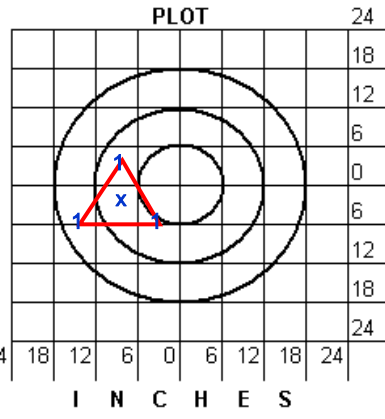
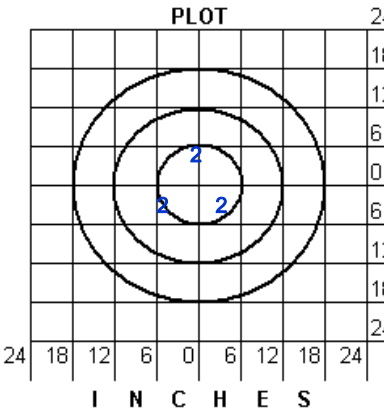
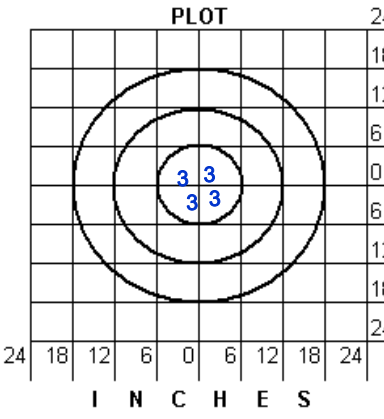
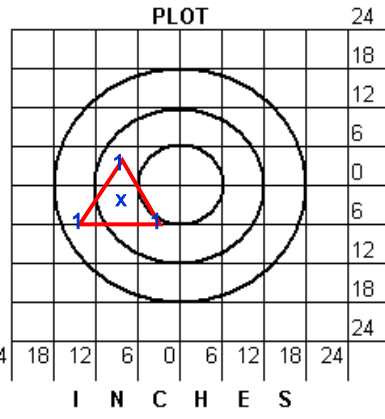
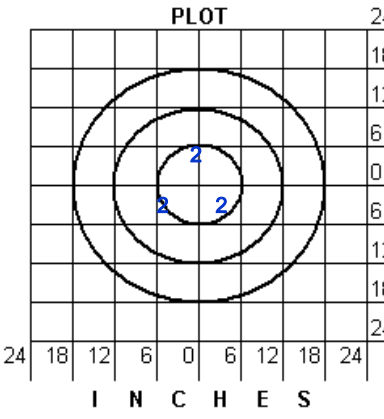
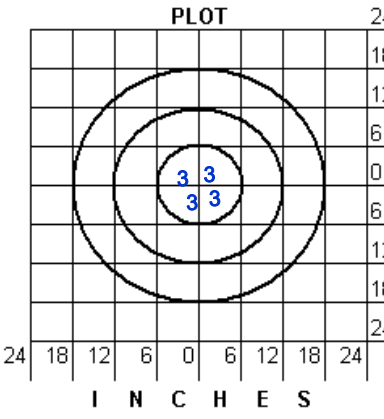
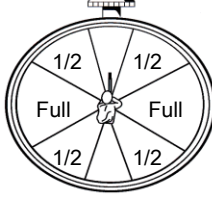
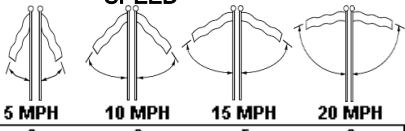
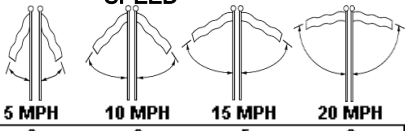
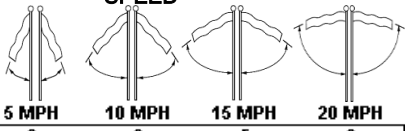
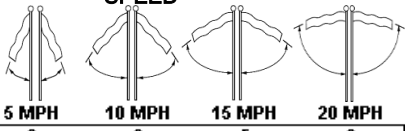
BEFORE FIRING			200 - YARD TRI-FIRE					SITTING																												
TRUE ZERO			plus	WIND				=	ZERO																											
FRONT ELEVATION	REAR ELEVATION	WIND	DIRECTION		SPEED				FRONT ELEVATION	REAR ELEVATION	WIND																									
0 ↑	M16A2 8/3+ 8/3- 2	0 R							0 ↑	M16A2 8/3+ 8/3- 2	1 R																									
— ↓	M16A4/M4 6/3+ 6/3- —	— L			<table border="1" style="font-size: small; text-align: center;"> <thead> <tr> <th>SERVICE</th> <th>5 MPH</th> <th>10 MPH</th> <th>15 MPH</th> <th>20 MPH</th> </tr> </thead> <tbody> <tr> <td>FULL</td> <td>2</td> <td>3</td> <td>5</td> <td>6</td> </tr> <tr> <td>RIFLE HALF</td> <td>1</td> <td>1</td> <td>2</td> <td>3</td> </tr> <tr> <td>FULL</td> <td>2</td> <td>4</td> <td>7</td> <td>9</td> </tr> <tr> <td>CARBINE HALF</td> <td>1</td> <td>2</td> <td>4</td> <td>5</td> </tr> </tbody> </table>				SERVICE	5 MPH	10 MPH	15 MPH	20 MPH	FULL	2	3	5	6	RIFLE HALF	1	1	2	3	FULL	2	4	7	9	CARBINE HALF	1	2	4	5	— ↓	M16A4/M4 6/3+ 6/3- —	— L
SERVICE	5 MPH	10 MPH			15 MPH	20 MPH																														
FULL	2	3			5	6																														
RIFLE HALF	1	1	2	3																																
FULL	2	4	7	9																																
CARBINE HALF	1	2	4	5																																
DURING FIRING			1ST STRING			2ND STRING			3RD STRING																											
									<p style="text-align: center;">SIGHT SETTINGS FOR SECOND STRING</p> <table style="width: 100%; text-align: center;"> <tr> <td>FRONT SIGHT ELEV</td> <td style="font-size: 2em;">2</td> <td style="font-size: 2em;">↑</td> <td style="font-size: 2em;">8</td> <td>WIND</td> </tr> <tr> <td></td> <td></td> <td></td> <td></td> <td style="text-align: center;">R</td> </tr> <tr> <td></td> <td></td> <td style="font-size: 2em;">↓</td> <td></td> <td style="text-align: center;">L</td> </tr> </table>			FRONT SIGHT ELEV	2	↑	8	WIND					R			↓		L										
FRONT SIGHT ELEV	2	↑	8	WIND																																
				R																																
		↓		L																																
			<p style="text-align: center;">SIGHT SETTINGS FOR THIRD STRING</p> <table style="width: 100%; text-align: center;"> <tr> <td>FRONT SIGHT ELEV</td> <td style="font-size: 2em;">2</td> <td style="font-size: 2em;">↑</td> <td style="font-size: 2em;">8</td> <td>WIND</td> </tr> <tr> <td></td> <td></td> <td></td> <td></td> <td style="text-align: center;">R</td> </tr> <tr> <td></td> <td></td> <td style="font-size: 2em;">↓</td> <td></td> <td style="text-align: center;">L</td> </tr> </table>			FRONT SIGHT ELEV	2	↑	8	WIND					R			↓		L																
FRONT SIGHT ELEV	2	↑	8	WIND																																
				R																																
		↓		L																																
AFTER FIRING			without	WIND				=	TRUE ZERO																											
FRONT ELEVATION	REAR ELEVATION	WIND	DIRECTION		SPEED				FRONT ELEVATION	REAR ELEVATION	WIND																									
— ↑	M16A2 8/3+ 8/3- —	— R							— ↑	M16A2 8/3+ 8/3- —	— R																									
— ↓	M16A4/M4 6/3+ 6/3- —	— L			<table border="1" style="font-size: small; text-align: center;"> <thead> <tr> <th>SERVICE</th> <th>5 MPH</th> <th>10 MPH</th> <th>15 MPH</th> <th>20 MPH</th> </tr> </thead> <tbody> <tr> <td>FULL</td> <td>2</td> <td>3</td> <td>5</td> <td>6</td> </tr> <tr> <td>RIFLE HALF</td> <td>1</td> <td>1</td> <td>2</td> <td>3</td> </tr> <tr> <td>FULL</td> <td>2</td> <td>4</td> <td>7</td> <td>9</td> </tr> <tr> <td>CARBINE HALF</td> <td>1</td> <td>2</td> <td>4</td> <td>5</td> </tr> </tbody> </table>				SERVICE	5 MPH	10 MPH	15 MPH	20 MPH	FULL	2	3	5	6	RIFLE HALF	1	1	2	3	FULL	2	4	7	9	CARBINE HALF	1	2	4	5	— ↓	M16A4/M4 6/3+ 6/3- —	— L
SERVICE	5 MPH	10 MPH			15 MPH	20 MPH																														
FULL	2	3			5	6																														
RIFLE HALF	1	1	2	3																																
FULL	2	4	7	9																																
CARBINE HALF	1	2	4	5																																

****WINDAGE AND ELEVATION ADJUSTMENTS AT 200 yds:

REAR SIGHT ELEVATION: M16A2 - 1 CLICK = 2"; M16A4/M4 - 1 CLICK = 1"
 FRONT SIGHT ELEVATION: M16A2/A4 - 1 CLICK= 2 1/2"; M4 - 1 CLICK = 2 3/4"

WINDAGE: 1 CLICK = 1"

DAY 1 TABLE 1

BEFORE FIRING			200 - YARD TRI-FIRE				SITTING																																																																																																																										
TRUE ZERO			plus	WIND	=	ZERO																																																																																																																											
FRONT ELEVATION	REAR ELEVATION	WIND	DIRECTION	SPEED				FRONT ELEVATION	REAR ELEVATION	WIND																																																																																																																							
0 ↑	M16A2 8/3+ 8/3- 2	0 R						0 ↑	M16A2 8/3+ 8/3- 2	1 R																																																																																																																							
— ↓	M16A4/M4 6/3+ 6/3- —	— L	<table border="1" style="font-size: small;"> <tr><td>SERVICE</td><td>VALUE</td><td>5 MPH</td><td>10 MPH</td><td>15 MPH</td><td>20 MPH</td></tr> <tr><td>RIFLE</td><td>FULL</td><td>2</td><td>3</td><td>5</td><td>6</td></tr> <tr><td>RIFLE</td><td>HALF</td><td>1</td><td>1</td><td>2</td><td>3</td></tr> <tr><td>CARBINE</td><td>FULL</td><td>2</td><td>4</td><td>7</td><td>9</td></tr> <tr><td>CARBINE</td><td>HALF</td><td>1</td><td>2</td><td>4</td><td>5</td></tr> </table>	SERVICE	VALUE	5 MPH	10 MPH	15 MPH	20 MPH	RIFLE	FULL	2	3	5	6	RIFLE	HALF	1	1	2	3	CARBINE	FULL	2	4	7	9	CARBINE	HALF	1	2	4	5	<table border="1" style="font-size: small;"> <tr><td>SERVICE</td><td>VALUE</td><td>5 MPH</td><td>10 MPH</td><td>15 MPH</td><td>20 MPH</td></tr> <tr><td>RIFLE</td><td>FULL</td><td>2</td><td>3</td><td>5</td><td>6</td></tr> <tr><td>RIFLE</td><td>HALF</td><td>1</td><td>1</td><td>2</td><td>3</td></tr> <tr><td>CARBINE</td><td>FULL</td><td>2</td><td>4</td><td>7</td><td>9</td></tr> <tr><td>CARBINE</td><td>HALF</td><td>1</td><td>2</td><td>4</td><td>5</td></tr> </table>	SERVICE	VALUE	5 MPH	10 MPH	15 MPH	20 MPH	RIFLE	FULL	2	3	5	6	RIFLE	HALF	1	1	2	3	CARBINE	FULL	2	4	7	9	CARBINE	HALF	1	2	4	5	<table border="1" style="font-size: small;"> <tr><td>SERVICE</td><td>VALUE</td><td>5 MPH</td><td>10 MPH</td><td>15 MPH</td><td>20 MPH</td></tr> <tr><td>RIFLE</td><td>FULL</td><td>2</td><td>3</td><td>5</td><td>6</td></tr> <tr><td>RIFLE</td><td>HALF</td><td>1</td><td>1</td><td>2</td><td>3</td></tr> <tr><td>CARBINE</td><td>FULL</td><td>2</td><td>4</td><td>7</td><td>9</td></tr> <tr><td>CARBINE</td><td>HALF</td><td>1</td><td>2</td><td>4</td><td>5</td></tr> </table>	SERVICE	VALUE	5 MPH	10 MPH	15 MPH	20 MPH	RIFLE	FULL	2	3	5	6	RIFLE	HALF	1	1	2	3	CARBINE	FULL	2	4	7	9	CARBINE	HALF	1	2	4	5	<table border="1" style="font-size: small;"> <tr><td>SERVICE</td><td>VALUE</td><td>5 MPH</td><td>10 MPH</td><td>15 MPH</td><td>20 MPH</td></tr> <tr><td>RIFLE</td><td>FULL</td><td>2</td><td>3</td><td>5</td><td>6</td></tr> <tr><td>RIFLE</td><td>HALF</td><td>1</td><td>1</td><td>2</td><td>3</td></tr> <tr><td>CARBINE</td><td>FULL</td><td>2</td><td>4</td><td>7</td><td>9</td></tr> <tr><td>CARBINE</td><td>HALF</td><td>1</td><td>2</td><td>4</td><td>5</td></tr> </table>	SERVICE	VALUE	5 MPH	10 MPH	15 MPH	20 MPH	RIFLE	FULL	2	3	5	6	RIFLE	HALF	1	1	2	3	CARBINE	FULL	2	4	7	9	CARBINE	HALF	1	2	4	5	— ↓	M16A4/M4 6/3+ 6/3- —	— L
SERVICE	VALUE	5 MPH	10 MPH	15 MPH	20 MPH																																																																																																																												
RIFLE	FULL	2	3	5	6																																																																																																																												
RIFLE	HALF	1	1	2	3																																																																																																																												
CARBINE	FULL	2	4	7	9																																																																																																																												
CARBINE	HALF	1	2	4	5																																																																																																																												
SERVICE	VALUE	5 MPH	10 MPH	15 MPH	20 MPH																																																																																																																												
RIFLE	FULL	2	3	5	6																																																																																																																												
RIFLE	HALF	1	1	2	3																																																																																																																												
CARBINE	FULL	2	4	7	9																																																																																																																												
CARBINE	HALF	1	2	4	5																																																																																																																												
SERVICE	VALUE	5 MPH	10 MPH	15 MPH	20 MPH																																																																																																																												
RIFLE	FULL	2	3	5	6																																																																																																																												
RIFLE	HALF	1	1	2	3																																																																																																																												
CARBINE	FULL	2	4	7	9																																																																																																																												
CARBINE	HALF	1	2	4	5																																																																																																																												
SERVICE	VALUE	5 MPH	10 MPH	15 MPH	20 MPH																																																																																																																												
RIFLE	FULL	2	3	5	6																																																																																																																												
RIFLE	HALF	1	1	2	3																																																																																																																												
CARBINE	FULL	2	4	7	9																																																																																																																												
CARBINE	HALF	1	2	4	5																																																																																																																												
DURING FIRING																																																																																																																																	
1ST STRING			2ND STRING			3RD STRING			SIGHT SETTINGS FOR SECOND STRING																																																																																																																								
									FRONT SIGHT ELEV WIND 2 ↑ 8 R — ↓ — L																																																																																																																								
									SIGHT SETTINGS FOR THIRD STRING FRONT SIGHT ELEV WIND 2 ↑ 8 R — ↓ — L																																																																																																																								
AFTER FIRING																																																																																																																																	
ZERO			without	WIND	=	TRUE ZERO																																																																																																																											
FRONT ELEVATION	REAR ELEVATION	WIND	DIRECTION	SPEED				FRONT ELEVATION	REAR ELEVATION	WIND																																																																																																																							
2 ↑	M16A2 8/3+ 8/3- 2	8 R						— ↑	M16A2 8/3+ 8/3- —	— R																																																																																																																							
— ↓	M16A4/M4 6/3+ 6/3- —	— L	<table border="1" style="font-size: small;"> <tr><td>SERVICE</td><td>VALUE</td><td>5 MPH</td><td>10 MPH</td><td>15 MPH</td><td>20 MPH</td></tr> <tr><td>RIFLE</td><td>FULL</td><td>2</td><td>3</td><td>5</td><td>6</td></tr> <tr><td>RIFLE</td><td>HALF</td><td>1</td><td>1</td><td>2</td><td>3</td></tr> <tr><td>CARBINE</td><td>FULL</td><td>2</td><td>4</td><td>7</td><td>9</td></tr> <tr><td>CARBINE</td><td>HALF</td><td>1</td><td>2</td><td>4</td><td>5</td></tr> </table>	SERVICE	VALUE	5 MPH	10 MPH	15 MPH	20 MPH	RIFLE	FULL	2	3	5	6	RIFLE	HALF	1	1	2	3	CARBINE	FULL	2	4	7	9	CARBINE	HALF	1	2	4	5	<table border="1" style="font-size: small;"> <tr><td>SERVICE</td><td>VALUE</td><td>5 MPH</td><td>10 MPH</td><td>15 MPH</td><td>20 MPH</td></tr> <tr><td>RIFLE</td><td>FULL</td><td>2</td><td>3</td><td>5</td><td>6</td></tr> <tr><td>RIFLE</td><td>HALF</td><td>1</td><td>1</td><td>2</td><td>3</td></tr> <tr><td>CARBINE</td><td>FULL</td><td>2</td><td>4</td><td>7</td><td>9</td></tr> <tr><td>CARBINE</td><td>HALF</td><td>1</td><td>2</td><td>4</td><td>5</td></tr> </table>	SERVICE	VALUE	5 MPH	10 MPH	15 MPH	20 MPH	RIFLE	FULL	2	3	5	6	RIFLE	HALF	1	1	2	3	CARBINE	FULL	2	4	7	9	CARBINE	HALF	1	2	4	5	<table border="1" style="font-size: small;"> <tr><td>SERVICE</td><td>VALUE</td><td>5 MPH</td><td>10 MPH</td><td>15 MPH</td><td>20 MPH</td></tr> <tr><td>RIFLE</td><td>FULL</td><td>2</td><td>3</td><td>5</td><td>6</td></tr> <tr><td>RIFLE</td><td>HALF</td><td>1</td><td>1</td><td>2</td><td>3</td></tr> <tr><td>CARBINE</td><td>FULL</td><td>2</td><td>4</td><td>7</td><td>9</td></tr> <tr><td>CARBINE</td><td>HALF</td><td>1</td><td>2</td><td>4</td><td>5</td></tr> </table>	SERVICE	VALUE	5 MPH	10 MPH	15 MPH	20 MPH	RIFLE	FULL	2	3	5	6	RIFLE	HALF	1	1	2	3	CARBINE	FULL	2	4	7	9	CARBINE	HALF	1	2	4	5	<table border="1" style="font-size: small;"> <tr><td>SERVICE</td><td>VALUE</td><td>5 MPH</td><td>10 MPH</td><td>15 MPH</td><td>20 MPH</td></tr> <tr><td>RIFLE</td><td>FULL</td><td>2</td><td>3</td><td>5</td><td>6</td></tr> <tr><td>RIFLE</td><td>HALF</td><td>1</td><td>1</td><td>2</td><td>3</td></tr> <tr><td>CARBINE</td><td>FULL</td><td>2</td><td>4</td><td>7</td><td>9</td></tr> <tr><td>CARBINE</td><td>HALF</td><td>1</td><td>2</td><td>4</td><td>5</td></tr> </table>	SERVICE	VALUE	5 MPH	10 MPH	15 MPH	20 MPH	RIFLE	FULL	2	3	5	6	RIFLE	HALF	1	1	2	3	CARBINE	FULL	2	4	7	9	CARBINE	HALF	1	2	4	5	— ↓	M16A4/M4 6/3+ 6/3- —	— L
SERVICE	VALUE	5 MPH	10 MPH	15 MPH	20 MPH																																																																																																																												
RIFLE	FULL	2	3	5	6																																																																																																																												
RIFLE	HALF	1	1	2	3																																																																																																																												
CARBINE	FULL	2	4	7	9																																																																																																																												
CARBINE	HALF	1	2	4	5																																																																																																																												
SERVICE	VALUE	5 MPH	10 MPH	15 MPH	20 MPH																																																																																																																												
RIFLE	FULL	2	3	5	6																																																																																																																												
RIFLE	HALF	1	1	2	3																																																																																																																												
CARBINE	FULL	2	4	7	9																																																																																																																												
CARBINE	HALF	1	2	4	5																																																																																																																												
SERVICE	VALUE	5 MPH	10 MPH	15 MPH	20 MPH																																																																																																																												
RIFLE	FULL	2	3	5	6																																																																																																																												
RIFLE	HALF	1	1	2	3																																																																																																																												
CARBINE	FULL	2	4	7	9																																																																																																																												
CARBINE	HALF	1	2	4	5																																																																																																																												
SERVICE	VALUE	5 MPH	10 MPH	15 MPH	20 MPH																																																																																																																												
RIFLE	FULL	2	3	5	6																																																																																																																												
RIFLE	HALF	1	1	2	3																																																																																																																												
CARBINE	FULL	2	4	7	9																																																																																																																												
CARBINE	HALF	1	2	4	5																																																																																																																												

****WINDAGE AND ELEVATION ADJUSTMENTS AT 200 yds:

REAR SIGHT ELEVATION: M16A2 - 1 CLICK = 2"; M16A4/M4 - 1 CLICK = 1"

WINDAGE: 1 CLICK = 1"

FRONT SIGHT ELEVATION: M16A2/A4 - 1 CLICK= 2 1/2"; M4 - 1 CLICK = 2 3/4"

DAY 1 TABLE 1

BEFORE FIRING			200 - YARD TRI-FIRE				SITTING			
TRUE ZERO			plus	WIND	=	ZERO				
FRONT ELEVATION	REAR ELEVATION	WIND	DIRECTION	SPEED				FRONT ELEVATION	REAR ELEVATION	WIND
0 ↑	M16A2 8/3+ 8/3- 2	0 R						0 ↑	M16A2 8/3+ 8/3- 2	1 R
— ↓	M16A4/M4 6/3+ 6/3- —	— L		SERVICE	FULL	2	3	5	6	— ↓
				RIFLE	HALF	1	1	2	3	— ↓
				CARBINE	FULL	2	4	7	9	— ↓
				HALF	1	2	4	5	5	— ↓
DURING FIRING										
1ST STRING			2ND STRING			3RD STRING			SIGHT SETTINGS FOR SECOND STRING	
<p style="text-align: right;">PLOT 24</p> <p style="text-align: center;">I N C H E S</p>			<p style="text-align: right;">PLOT 24</p> <p style="text-align: center;">I N C H E S</p>			<p style="text-align: right;">PLOT 24</p> <p style="text-align: center;">I N C H E S</p>			<p style="text-align: center;">FRONT SIGHT</p> <p style="text-align: center;">ELEV WIND</p> <p style="text-align: center;">2 ↑ 8 R</p> <p style="text-align: center;">— ↓ — L</p>	
									SIGHT SETTINGS FOR THIRD STRING	
									<p style="text-align: center;">FRONT SIGHT</p> <p style="text-align: center;">ELEV WIND</p> <p style="text-align: center;">2 ↑ 8 R</p> <p style="text-align: center;">— ↓ — L</p>	
AFTER FIRING										
ZERO			without	WIND	=	TRUE ZERO				
FRONT ELEVATION	REAR ELEVATION	WIND	DIRECTION	SPEED				FRONT ELEVATION	REAR ELEVATION	WIND
2 ↑	M16A2 8/3+ 8/3- 2	8 R						— ↑	M16A2 8/3+ 8/3- —	— R
— ↓	M16A4/M4 6/3+ 6/3- —	— L		SERVICE	FULL	2	3	5	6	— ↓
				RIFLE	HALF	1	1	2	3	— ↓
				CARBINE	FULL	2	4	7	9	— ↓
				HALF	1	2	4	5	5	— ↓

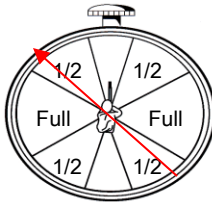
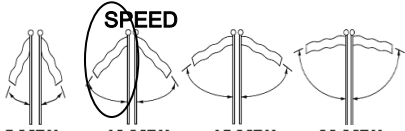
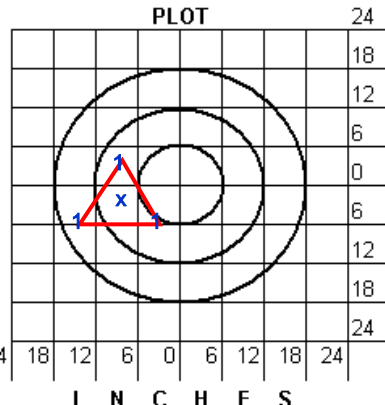
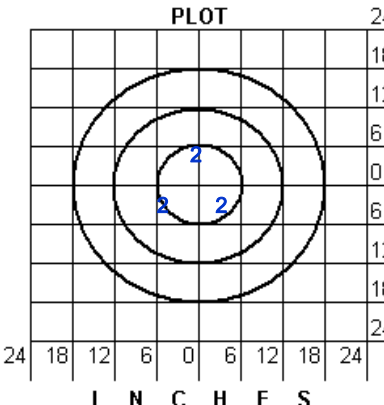
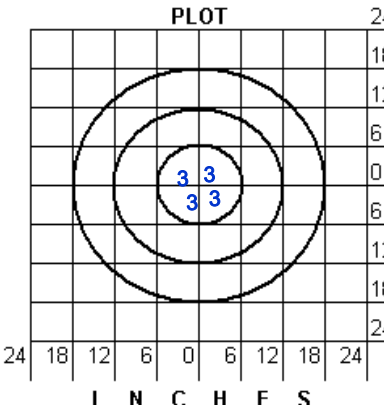
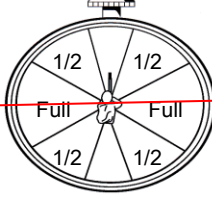
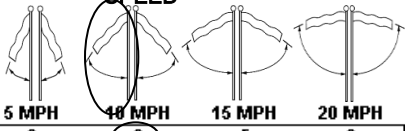
****WINDAGE AND ELEVATION ADJUSTMENTS AT 200 yds:

REAR SIGHT ELEVATION: M16A2 - 1 CLICK = 2"; M16A4/M4 - 1 CLICK = 1"

WINDAGE: 1 CLICK = 1"

FRONT SIGHT ELEVATION: M16A2/A4 - 1 CLICK= 2 1/2"; M4 - 1 CLICK = 2 3/4"

DAY 1 TABLE 1

BEFORE FIRING			200 - YARD TRI-FIRE				SITTING																									
TRUE ZERO			plus	WIND	=	ZERO																										
FRONT ELEVATION	REAR ELEVATION	WIND	DIRECTION		SPEED		FRONT ELEVATION	REAR ELEVATION	WIND																							
0 ↑	M16A2 8/3+ 8/3- 2	0 R					0 ↑	M16A2 8/3+ 8/3- 2	1 R																							
— ↓	M16A4/M4 6/3+ 6/3-	— L					— ↓	M16A4/M4 6/3+ 6/3-	— L																							
							<table border="1" style="font-size: small;"> <thead> <tr> <th>SERVICE</th> <th>5 MPH</th> <th>10 MPH</th> <th>15 MPH</th> <th>20 MPH</th> </tr> </thead> <tbody> <tr> <td>FULL</td> <td>2</td> <td>3</td> <td>5</td> <td>6</td> </tr> <tr> <td>RIFLE</td> <td>1</td> <td>1</td> <td>2</td> <td>3</td> </tr> <tr> <td>FULL</td> <td>2</td> <td>4</td> <td>7</td> <td>9</td> </tr> <tr> <td>CARBINE</td> <td>1</td> <td>2</td> <td>4</td> <td>5</td> </tr> </tbody> </table>		SERVICE	5 MPH	10 MPH	15 MPH	20 MPH	FULL	2	3	5	6	RIFLE	1	1	2	3	FULL	2	4	7	9	CARBINE	1	2	4
SERVICE	5 MPH	10 MPH	15 MPH	20 MPH																												
FULL	2	3	5	6																												
RIFLE	1	1	2	3																												
FULL	2	4	7	9																												
CARBINE	1	2	4	5																												
1ST STRING			2ND STRING			3RD STRING			SIGHT SETTINGS FOR SECOND STRING																							
									FRONT SIGHT ELEV WIND <u>2</u> ↑ <u>8</u> R — ↓ — L																							
I N C H E S 24 18 12 6 0 6 12 18 24			I N C H E S 24 18 12 6 0 6 12 18 24			I N C H E S 24 18 12 6 0 6 12 18 24			SIGHT SETTINGS FOR THIRD STRING FRONT SIGHT ELEV WIND <u>2</u> ↑ <u>8</u> R — ↓ — L																							
AFTER FIRING			without	WIND	=	TRUE ZERO																										
FRONT ELEVATION	REAR ELEVATION	WIND	DIRECTION		SPEED		FRONT ELEVATION	REAR ELEVATION	WIND																							
2 ↑	M16A2 8/3+ 8/3- 2	8 R					2 ↑	M16A2 8/3+ 8/3- 2	5 R																							
— ↓	M16A4/M4 6/3+ 6/3-	— L					— ↓	M16A4/M4 6/3+ 6/3-	— L																							
							<table border="1" style="font-size: small;"> <thead> <tr> <th>SERVICE</th> <th>5 MPH</th> <th>10 MPH</th> <th>15 MPH</th> <th>20 MPH</th> </tr> </thead> <tbody> <tr> <td>FULL</td> <td>2</td> <td>3</td> <td>5</td> <td>6</td> </tr> <tr> <td>RIFLE</td> <td>1</td> <td>1</td> <td>2</td> <td>3</td> </tr> <tr> <td>FULL</td> <td>2</td> <td>4</td> <td>7</td> <td>9</td> </tr> <tr> <td>CARBINE</td> <td>1</td> <td>2</td> <td>4</td> <td>5</td> </tr> </tbody> </table>		SERVICE	5 MPH	10 MPH	15 MPH	20 MPH	FULL	2	3	5	6	RIFLE	1	1	2	3	FULL	2	4	7	9	CARBINE	1	2	4
SERVICE	5 MPH	10 MPH	15 MPH	20 MPH																												
FULL	2	3	5	6																												
RIFLE	1	1	2	3																												
FULL	2	4	7	9																												
CARBINE	1	2	4	5																												

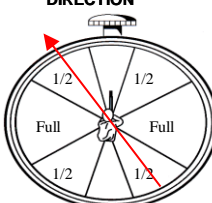
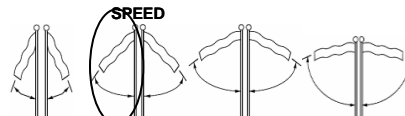
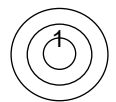
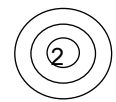
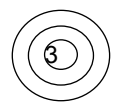
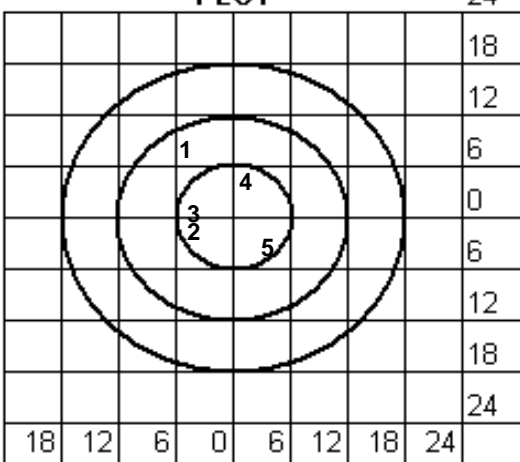
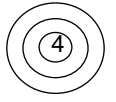
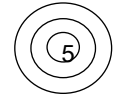
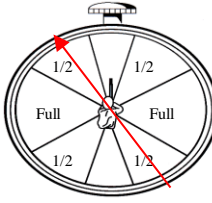
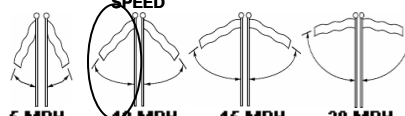
****WINDAGE AND ELEVATION ADJUSTMENTS AT 200 yds:

REAR SIGHT ELEVATION: M16A2 - 1 CLICK = 2"; M16A4/M4 - 1 CLICK = 1"

WINDAGE: 1 CLICK = 1"

FRONT SIGHT ELEVATION: M16A2/A4 - 1 CLICK= 2 1/2"; M4 - 1 CLICK = 2 3/4"

DAY 1 TABLE 1

BEFORE FIRING			200- YARD SLOW FIRE				SITTING																																
TRUE ZERO			plus WIND =				ZERO																																
FRONT ELEVATION	REAR ELEVATION	WIND	DIRECTION				FRONT ELEVATION	REAR ELEVATION	WIND																														
<u>2</u> ↑	M16A2 8/3+ 8/3- <u>2</u>	<u>1</u> R					<u>2</u> ↑	M16A2 8/3+ 8/3- <u>2</u>	<u>2</u> R																														
_____ ↓	M16A4/M4 6/3+ _____ 6/3- _____	_____ L									_____ ↓	M16A4/M4 6/3+ _____ 6/3- _____	_____ L																										
			<table border="1" style="font-size: small;"> <thead> <tr> <th>SERVICE</th> <th>VALUE</th> <th>5 MPH</th> <th>10 MPH</th> <th>15 MPH</th> <th>20 MPH</th> </tr> </thead> <tbody> <tr> <td>FULL</td> <td>2</td> <td>2</td> <td>3</td> <td>5</td> <td>6</td> </tr> <tr> <td>RIFLE</td> <td>HALF</td> <td>1</td> <td>1</td> <td>2</td> <td>3</td> </tr> <tr> <td>CARBINE</td> <td>FULL</td> <td>2</td> <td>4</td> <td>7</td> <td>9</td> </tr> <tr> <td></td> <td>HALF</td> <td>1</td> <td>2</td> <td>4</td> <td>5</td> </tr> </tbody> </table>								SERVICE	VALUE	5 MPH	10 MPH	15 MPH	20 MPH	FULL	2	2	3	5	6	RIFLE	HALF	1	1	2	3	CARBINE	FULL	2	4	7	9		HALF	1	2	4
SERVICE	VALUE	5 MPH	10 MPH	15 MPH	20 MPH																																		
FULL	2	2	3	5	6																																		
RIFLE	HALF	1	1	2	3																																		
CARBINE	FULL	2	4	7	9																																		
	HALF	1	2	4	5																																		
DURING FIRING							REMARKS																																
CALL			PLOT																																				
	1	2	3																																				
																																							
ELEVATION											24 18 12 6 0 6 12 18 24 I N C H E S																												
WINDAGE		7 R																																					
	4	5																																					
																																							
ELEVATION																																							
WINDAGE																																							
AFTER FIRING																																							
ZERO			without WIND =				TRUE ZERO																																
FRONT ELEVATION	REAR ELEVATION	WIND	DIRECTION				FRONT ELEVATION	REAR ELEVATION	WIND																														
<u>2</u> ↑	M16A2 8/3+ 8/3- <u>2</u>	<u>7</u> R					<u>2</u> ↑	M16A2 8/3+ 8/3- <u>2</u>	<u>6</u> R																														
_____ ↓	M16A4/M4 6/3+ _____ 6/3- _____	_____ L									_____ ↓	M16A4/M4 6/3+ _____ 6/3- _____	_____ L																										
			<table border="1" style="font-size: small;"> <thead> <tr> <th>SERVICE</th> <th>VALUE</th> <th>5 MPH</th> <th>10 MPH</th> <th>15 MPH</th> <th>20 MPH</th> </tr> </thead> <tbody> <tr> <td>FULL</td> <td>2</td> <td>2</td> <td>3</td> <td>5</td> <td>6</td> </tr> <tr> <td>RIFLE</td> <td>HALF</td> <td>1</td> <td>1</td> <td>2</td> <td>3</td> </tr> <tr> <td>CARBINE</td> <td>FULL</td> <td>2</td> <td>4</td> <td>7</td> <td>9</td> </tr> <tr> <td></td> <td>HALF</td> <td>1</td> <td>2</td> <td>4</td> <td>5</td> </tr> </tbody> </table>								SERVICE	VALUE	5 MPH	10 MPH	15 MPH	20 MPH	FULL	2	2	3	5	6	RIFLE	HALF	1	1	2	3	CARBINE	FULL	2	4	7	9		HALF	1	2	4
SERVICE	VALUE	5 MPH	10 MPH	15 MPH	20 MPH																																		
FULL	2	2	3	5	6																																		
RIFLE	HALF	1	1	2	3																																		
CARBINE	FULL	2	4	7	9																																		
	HALF	1	2	4	5																																		

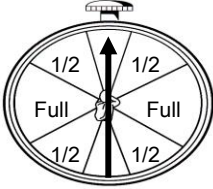
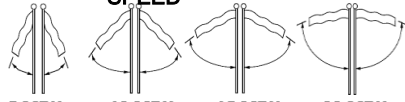
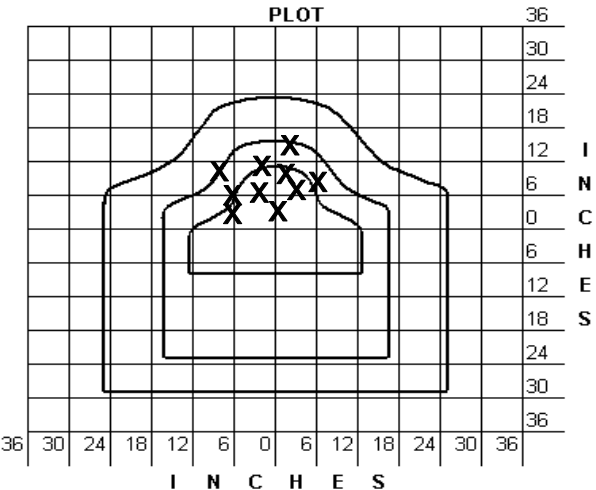
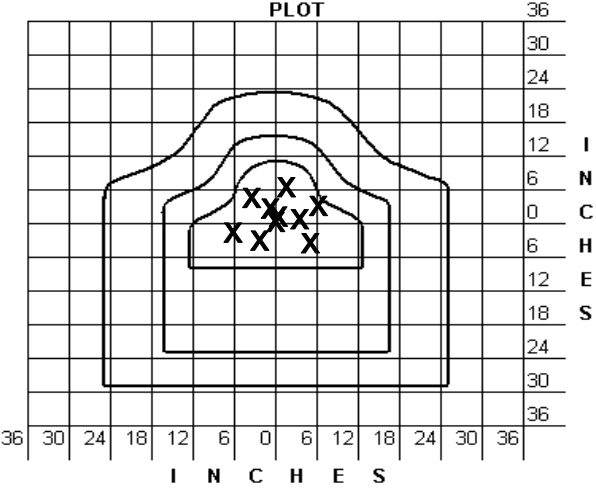
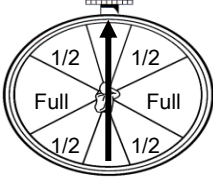
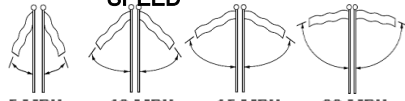
****WINDAGE AND ELEVATION ADJUSTMENTS AT 200 yds:

REAR SIGHT ELEVATION: M16A2 - 1 CLICK = 2"; M16A4/M4 - 1 CLICK = 1"

WINDAGE: 1 CLICK = 1"

FRONT SIGHT ELEVATION: M16A2/A4 - 1 CLICK = 2 1/2"; M4 - 1 CLICK = 2 3/4"

DAY 1 TABLE 1

BEFORE FIRING			300- YARD RAPID FIRE				PRONE																													
TRUE ZERO			plus	WIND	=	ZERO																														
FRONT ELEVATION	REAR ELEVATION	WIND	DIRECTION	SPEED				FRONT ELEVATION	REAR ELEVATION	WIND																										
___	M16A2 8/3+ 8/3- ___	___ R						___	M16A2 8/3+ 8/3- ___	___ R																										
2 ↓	M16A4/M4 6/3+ ___ 6/3- ___	6 L		<table border="1" style="font-size: small;"> <thead> <tr> <th>SERVICE</th> <th>VALUE</th> <th>5 MPH</th> <th>10 MPH</th> <th>15 MPH</th> <th>20 MPH</th> </tr> </thead> <tbody> <tr> <td>RIFLE</td> <td>FULL</td> <td>3</td> <td>6</td> <td>10</td> <td>13</td> </tr> <tr> <td></td> <td>HALF</td> <td>1</td> <td>3</td> <td>5</td> <td>6</td> </tr> <tr> <td>CARBINE</td> <td>FULL</td> <td>4</td> <td>6</td> <td>11</td> <td>15</td> </tr> <tr> <td></td> <td>HALF</td> <td>2</td> <td>3</td> <td>6</td> <td>8</td> </tr> </tbody> </table>	SERVICE	VALUE	5 MPH	10 MPH	15 MPH	20 MPH	RIFLE	FULL	3	6	10	13		HALF	1	3	5	6	CARBINE	FULL	4	6	11	15		HALF	2	3	6	8	2 ↓	M16A4/M4 6/3+ ___ 6/3- ___
SERVICE	VALUE	5 MPH	10 MPH	15 MPH	20 MPH																															
RIFLE	FULL	3	6	10	13																															
	HALF	1	3	5	6																															
CARBINE	FULL	4	6	11	15																															
	HALF	2	3	6	8																															
1ST STRING				2ND STRING				REMARKS																												
<p style="text-align: center;">PLOT</p>  <p style="text-align: center;">I N C H E S</p>				<p style="text-align: center;">PLOT</p>  <p style="text-align: center;">I N C H E S</p>				<p style="text-align: center;">2ND STRING ZERO</p> <table border="1" style="font-size: small;"> <thead> <tr> <th style="text-align: center;">FRONT ELEVATION</th> <th style="text-align: center;">REAR ELEVATION</th> <th style="text-align: center;">WIND</th> </tr> </thead> <tbody> <tr> <td style="text-align: center;">___</td> <td style="text-align: center;">M16A2 8/3+ 8/3- ___</td> <td style="text-align: center;">___ R</td> </tr> <tr> <td style="text-align: center;">4 ↓</td> <td style="text-align: center;">M16A4/M4 6/3+ ___ 6/3- ___</td> <td style="text-align: center;">6 L</td> </tr> </tbody> </table>			FRONT ELEVATION	REAR ELEVATION	WIND	___	M16A2 8/3+ 8/3- ___	___ R	4 ↓	M16A4/M4 6/3+ ___ 6/3- ___	6 L																	
FRONT ELEVATION	REAR ELEVATION	WIND																																		
___	M16A2 8/3+ 8/3- ___	___ R																																		
4 ↓	M16A4/M4 6/3+ ___ 6/3- ___	6 L																																		
AFTER FIRING			without	WIND	=	TRUE ZERO																														
FRONT ELEVATION	REAR ELEVATION	WIND	DIRECTION	SPEED				FRONT ELEVATION	REAR ELEVATION	WIND																										
___	M16A2 8/3+ 8/3- ___	___ R						___	M16A2 8/3+ 8/3- ___	___ R																										
4 ↓	M16A4/M4 6/3+ ___ 6/3- ___	6 L		<table border="1" style="font-size: small;"> <thead> <tr> <th>SERVICE</th> <th>VALUE</th> <th>5 MPH</th> <th>10 MPH</th> <th>15 MPH</th> <th>20 MPH</th> </tr> </thead> <tbody> <tr> <td>RIFLE</td> <td>FULL</td> <td>3</td> <td>6</td> <td>10</td> <td>13</td> </tr> <tr> <td></td> <td>HALF</td> <td>1</td> <td>3</td> <td>5</td> <td>6</td> </tr> <tr> <td>CARBINE</td> <td>FULL</td> <td>4</td> <td>6</td> <td>11</td> <td>15</td> </tr> <tr> <td></td> <td>HALF</td> <td>2</td> <td>3</td> <td>6</td> <td>8</td> </tr> </tbody> </table>	SERVICE	VALUE	5 MPH	10 MPH	15 MPH	20 MPH	RIFLE	FULL	3	6	10	13		HALF	1	3	5	6	CARBINE	FULL	4	6	11	15		HALF	2	3	6	8	4 ↓	M16A4/M4 6/3+ ___ 6/3- ___
SERVICE	VALUE	5 MPH	10 MPH	15 MPH	20 MPH																															
RIFLE	FULL	3	6	10	13																															
	HALF	1	3	5	6																															
CARBINE	FULL	4	6	11	15																															
	HALF	2	3	6	8																															

****WINDAGE AND ELEVATION ADJUSTMENTS AT 300 yds:

REAR SIGHT ELEVATION: M16A2 - 1 CLICK = 3"; M16A4/M4 - 1 CLICK = 1 1/2"

WINDAGE: 1 CLICK = 1 1/2"

FRONT SIGHT ELEVATION: M16A2/A4 - 1 CLICK= 3 3/4"; M4 - 1 CLICK= 4 1/8"